

Units

Inch

Millimeters

Width

2

in

Height

1

in

Depth

4

in

Are these inside or outside dimensions?

Inside

Outside

Material Thickness

0.2in



Custom Thickness

Open or closed box?

Open

Closed

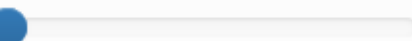
Edge Joints

Flat

Finger

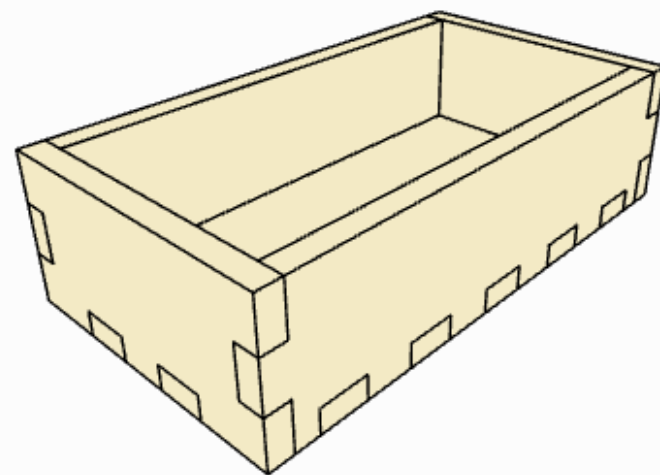
T-Slot

Finger Size



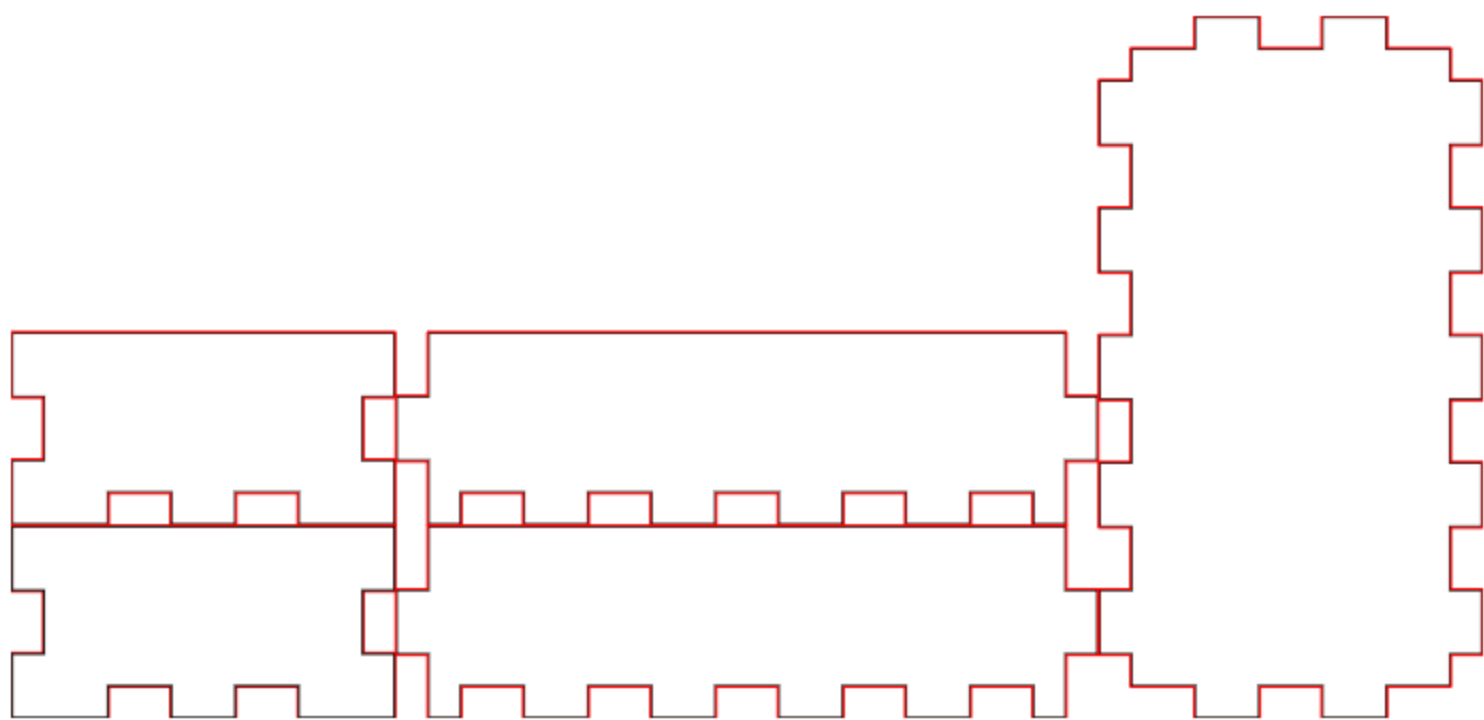
0.4

Download Box Plans



Drag to Rotate

Scroll to Zoom



Labels and Spacing

Line Formatting

Kerf and Corner Compensation

Panel Labels

Enabled

Disabled

Panel Labels Color

#777777

Panel Layout

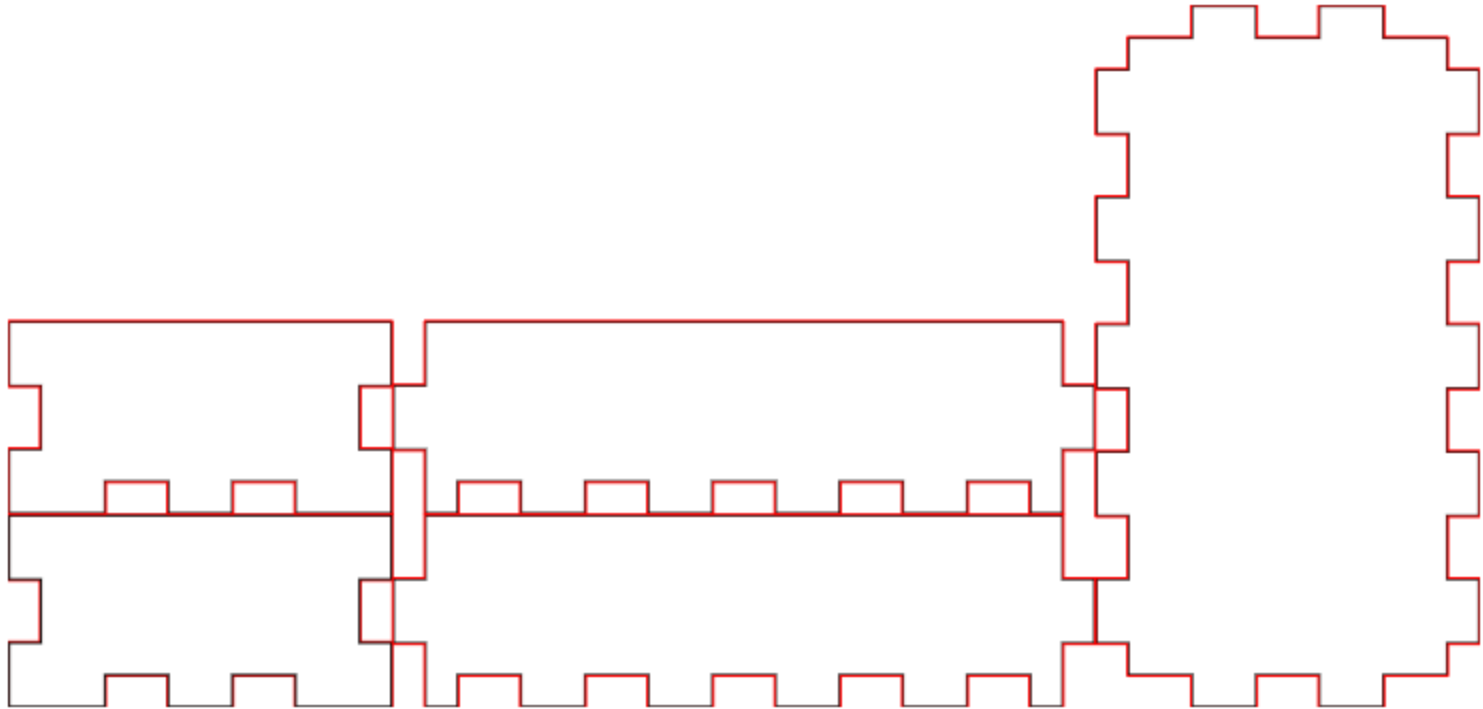
Separate

Combine

Download SVG

Download DXF

Cancel



Labels and Spacing

Line Formatting

Kerf and Corner Compensation

Cut Line Width

Outside Cut Line Color

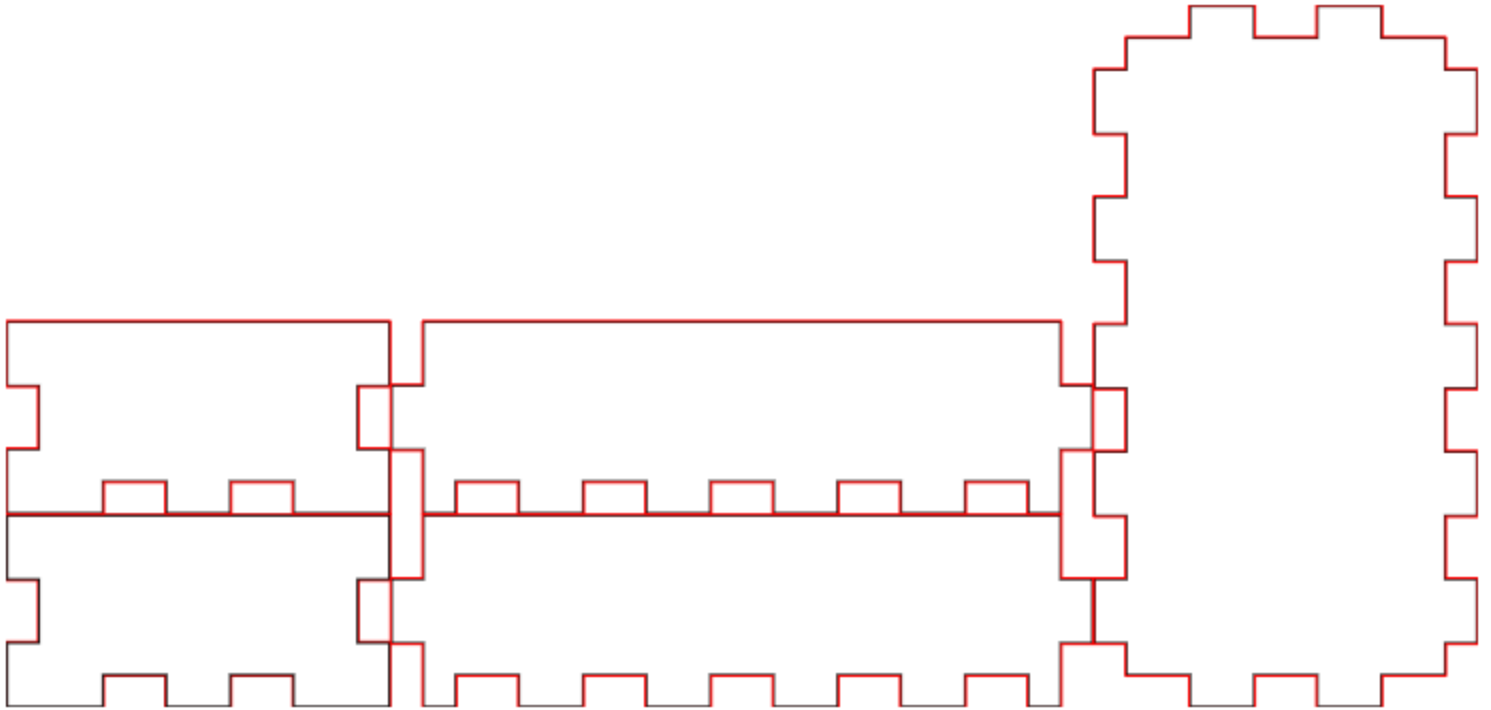
Inside Cut Line Color

Download SVG

Download DXF

Cancel



Labels and Spacing

Line Formatting

Kerf and Corner Compensation

Cut Compensation Type

None

Kerf

Corner Compensation

Kerf (Beam Dia / 2)

0.008

in



Download SVG

Download DXF

Cancel